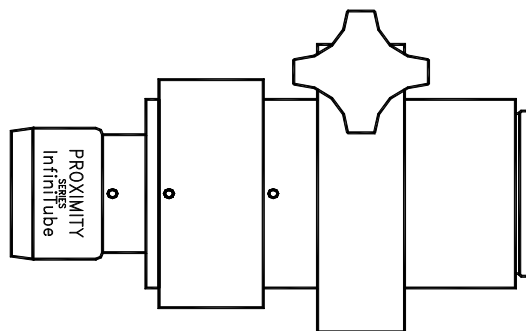
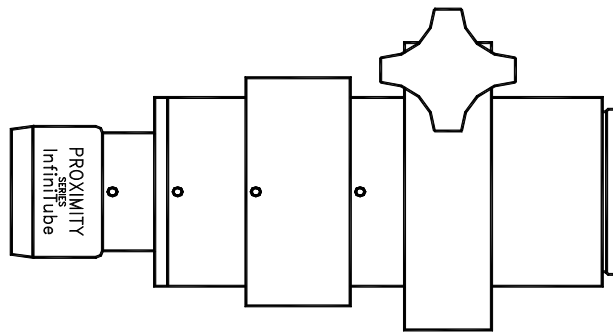
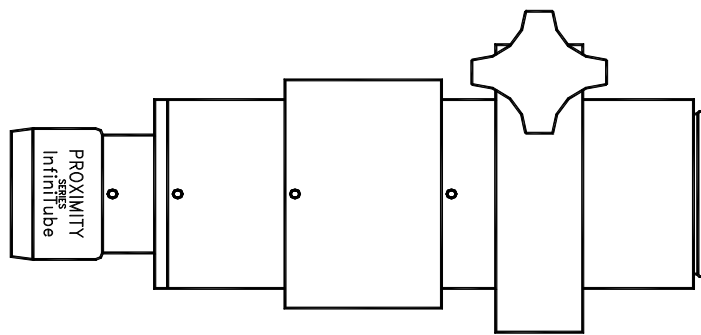


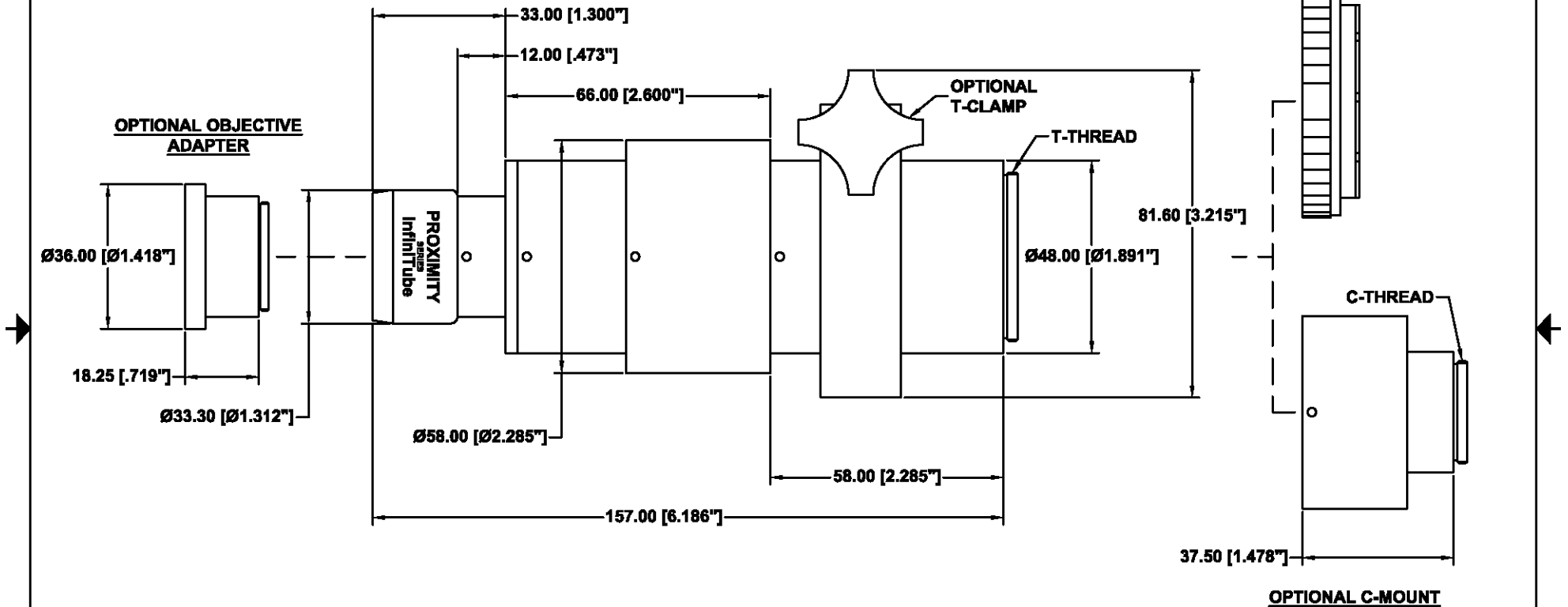
PROXIMITY SERIES: InfiniTube™ Video/Machine Vision Microscopes Special Series



This drawing is for informational purposes only.
No other rights or privileges are granted or implied.

REVISIONS				
ZONE	REV	DESCRIPTION	DATE	APPROVED

OPTIONAL T-2 ADAPTER (F-MOUNT)



Notes:

- 1) This system is compatible with Infinity Achrovid™, Mitutoyo, and Nikon CF150™, and other similar Infinity corrected objectives.
- 2) System has a factor of ca. 1x.
- 3) See InfiniTube Special Accessories page for additional configuration possibilities.

ALL DIM ARE mm
[Inches] AND ARE FOR
REFERENCE ONLY AND
ARE SUBJECT TO
CHANGE.

INFINITY Photo-Optical Company
2530 Frontier Ave., Boulder, CO 80301
303/440-4544 Fax 303/440-4144

INFINITUBE™ SPECIAL - I/M/N

Date: 05/02/05 MB	SIZE B	FSCM NO.	DWG NO.	REV A
Modified: 04/11/12 MB	SCALE NONE	SHEET 1 of 1		

D

D

C

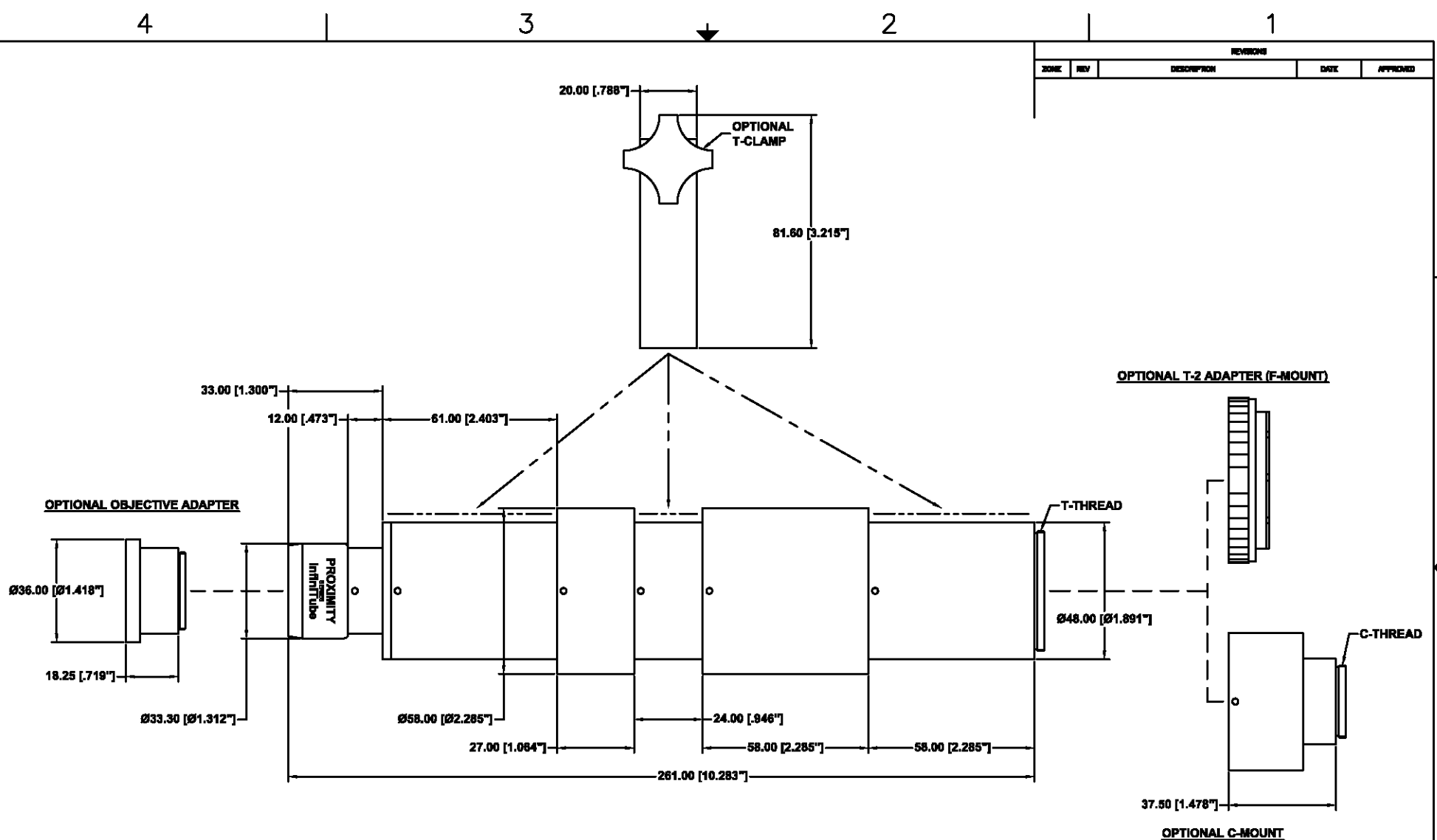
C

B

B

A

A



This drawing is for informational purposes only.
No other rights or privileges are granted or implied.

Notes:

- 1) This system is compatible with Infinity Achromid™, Mitutoyo, and Nikon CFI[∞]™, and other similar infinity corrected objectives.
- 2) System has a factor of ca. 1.5x.
- 3) See InfiniTube Special Accessories page for additional configuration possibilities.

ALL DIM ARE mm [Inches] AND ARE FOR REFERENCE ONLY AND ARE SUBJECT TO CHANGE.		INFINITY Photo-Optical Company 2530 Frontier Ave., Boulder, CO 80301 303/440-4544 Fax 303/440-4144	
Date: 11/15/11 MB	SIZE C	FORM NO.	DWG NO.
Modified:	SCALE NONE	SHEET	1 of 1

4

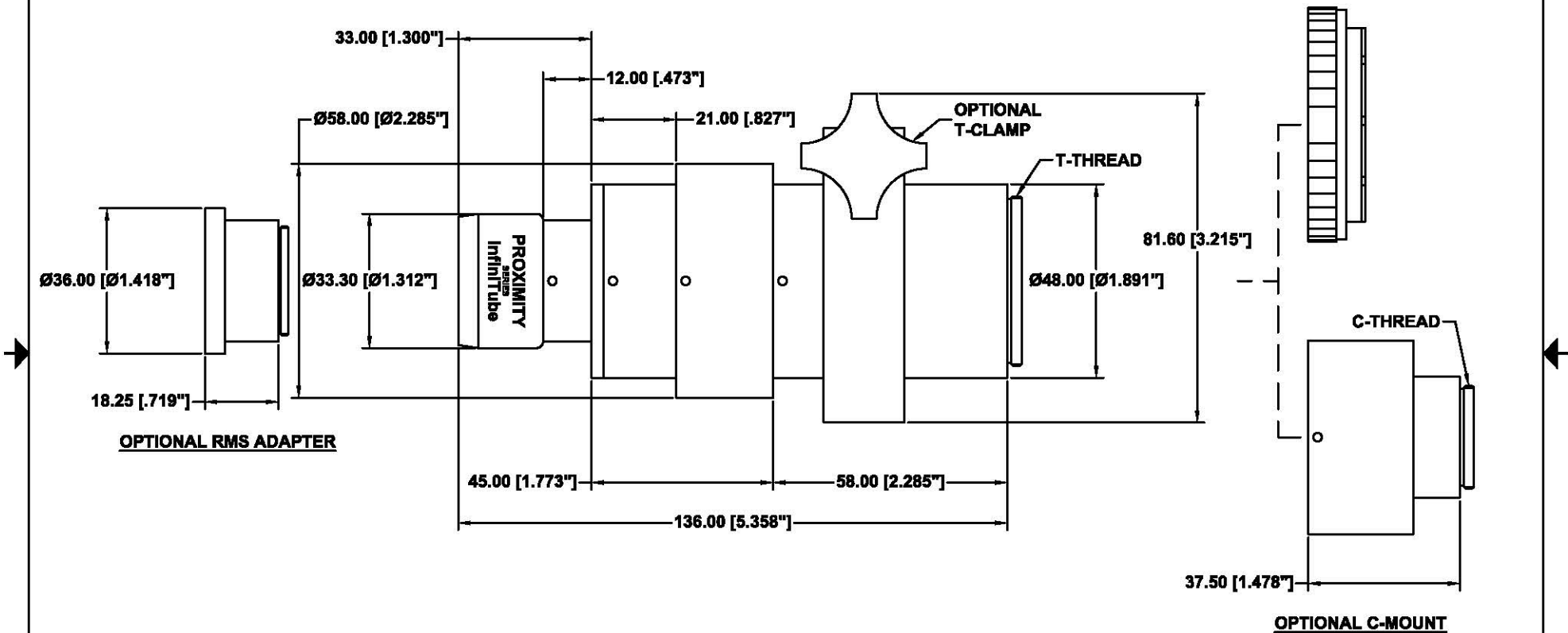
3

2

1

This drawing is for informational purposes only.
No other rights or privileges are granted or implied.

REVISIONS				
ZONE	REV	DESCRIPTION	DATE	APPROVED
OPTIONAL T-2 ADAPTER (F-MOUNT)				



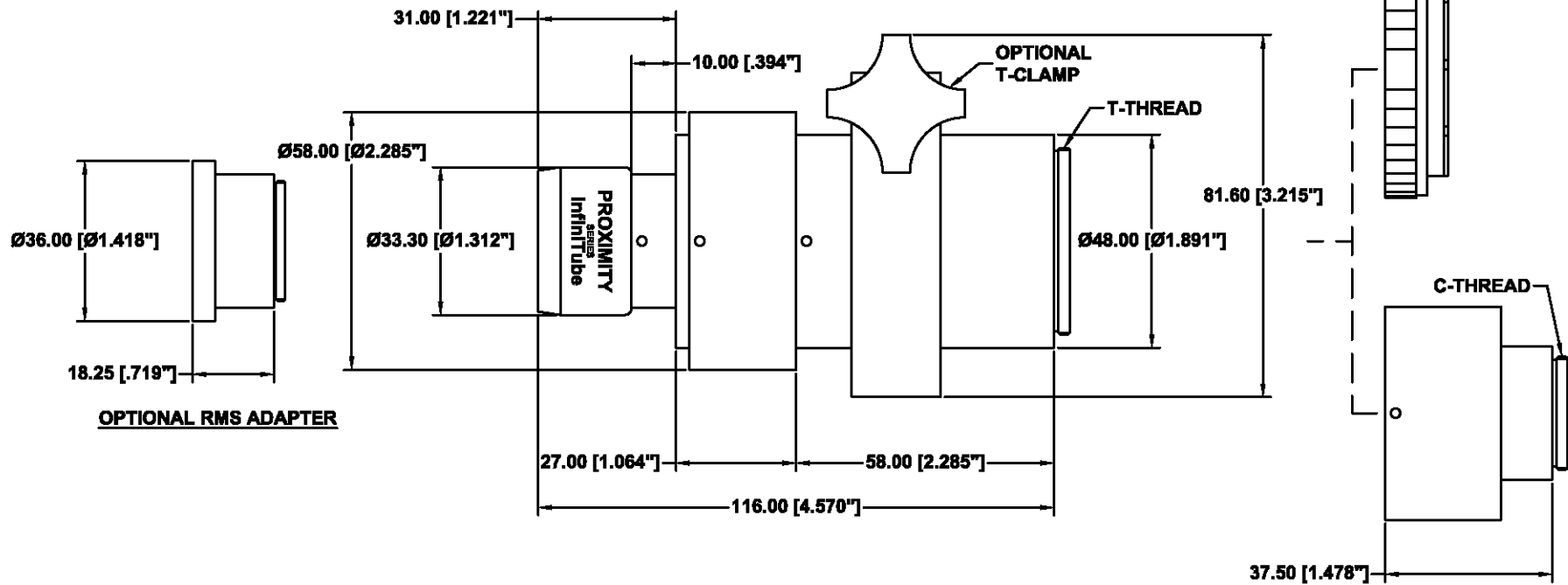
Notes:

- 1) This system is compatible with Olympus UIS™/UIS2™ objectives ONLY.
- 2) System has a factor of ca. 1x.
- 3) See InfiTube Special Accessories page for addition configuration possibilities.

ALL DIM ARE mm [Inches] AND ARE FOR REFERENCE ONLY AND ARE SUBJECT TO CHANGE.		INFINITY Photo-Optical Company 2530 Frontier Ave., Boulder, CO 80301 303/440-4544 Fax 303/440-4144		
INFINITUBE™ SPECIAL - O				
Date: 05/02/05 MB	SIZE B	PSCM NO.	DWG NO.	REV A
Modified: 04/09/12 MB	SCALE NONE	SHEET		1 of 1

This drawing is for informational purposes only.
No other rights or privileges are granted or implied.

REVISIONS				
ZONE	REV	DESCRIPTION	DATE	APPROVED
OPTIONAL T-2 ADAPTER (F-MOUNT)				



Notes:

- 1) This system is compatible with Zeiss ICS™ objectives ONLY.
- 2) System has a factor of ca. 1x.
- 3) See InfnITube Special Accessories page for addition configuration possibilities.

ALL DIM ARE mm
[Inches] AND ARE FOR
REFERENCE ONLY AND
ARE SUBJECT TO
CHANGE.

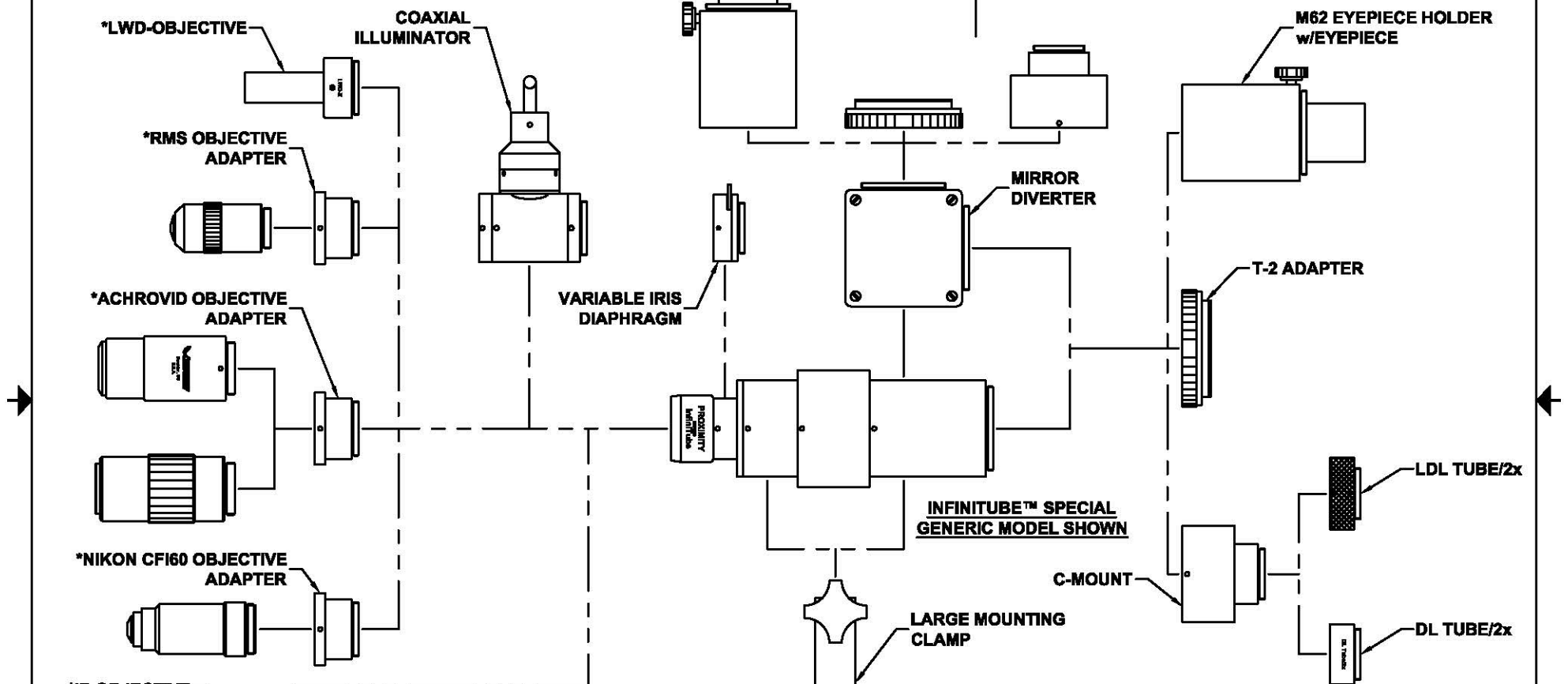
INFINITY Photo-Optical Company
2530 Frontier Ave., Boulder, CO 80301
303/440-4544 Fax 303/440-4144

INFINITUBE™ SPECIAL - Z

Date: 05/02/05 MB	SIZE B	FSCM NO.	DWG NO.	REV A
Modified: 01/19/07 MB	SCALE NONE	SHEET 1 of 1		

This drawing is for informational purposes only.
No other rights or privileges are granted or implied.

REVISIONS				
ZONE	REV	DESCRIPTION	DATE	APPROVED



NOTES:
 1) GENERIC INFINITUBE™ SPECIAL SHOWN.
 2) * MEANS THAT APPROPRIATE OBJECTIVE CAN ONLY BE USED WITH A PARTICULAR INFINITUBE™ SPECIAL, e.g.: ZEISS OBJECTIVE WITH INFINITUBE™ SPECIAL ZEISS.

ALL DIM ARE mm
[Inches] AND ARE FOR
REFERENCE ONLY AND
ARE SUBJECT TO
CHANGE.

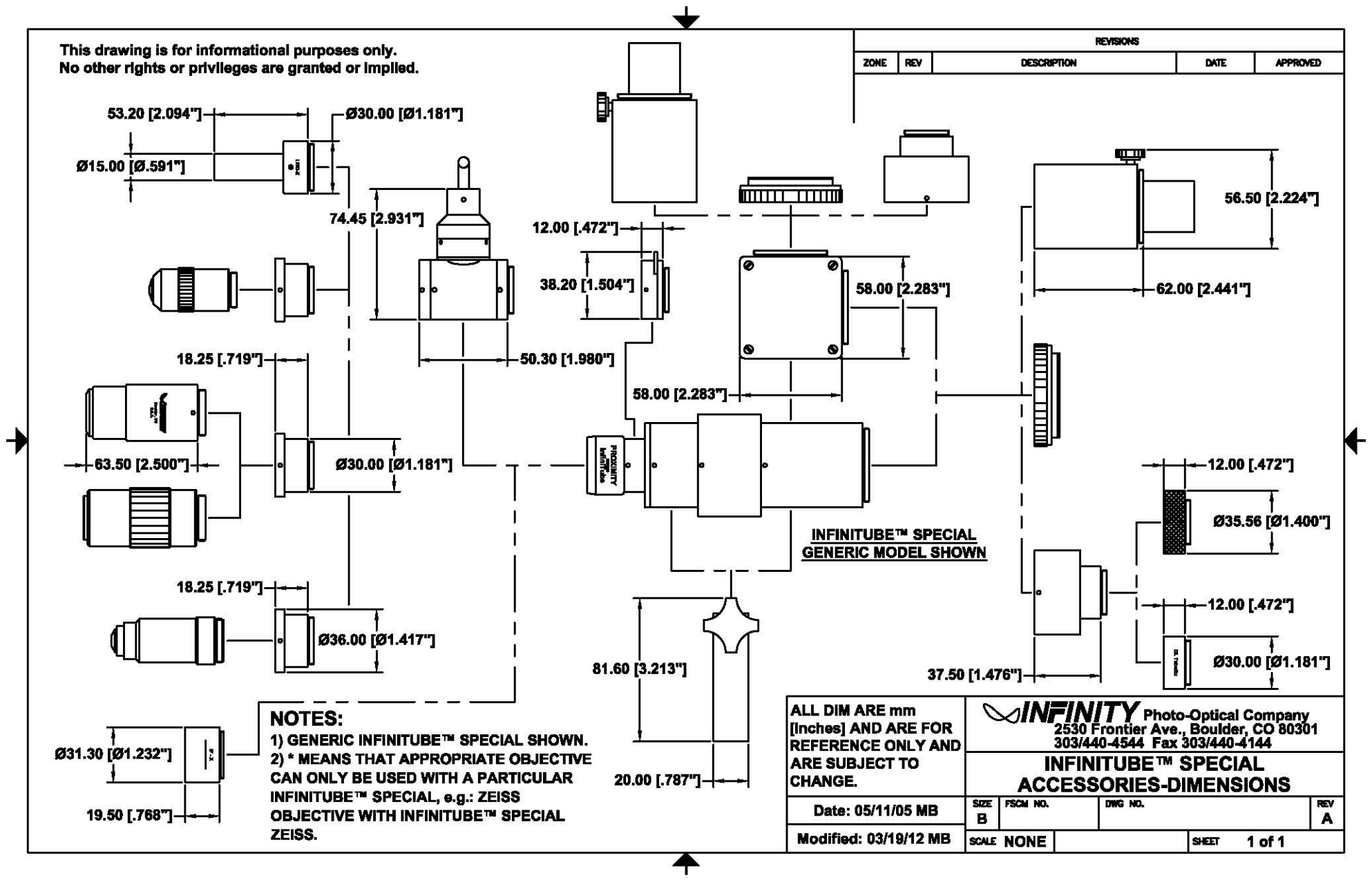
INFINITY Photo-Optical Company
 2530 Frontier Ave., Boulder, CO 80301
 303/440-4544 Fax 303/440-4144

**INFINITUBE™ SPECIAL
ACCESSORIES**

Date: 05/11/05 MB	SIZE B	FSCM NO.	DWG NO.	REV -
Modified: 04/11/12 MB	SCALE NONE	SHEET		1 of 1

This drawing is for informational purposes only.
No other rights or privileges are granted or implied.

REVISIONS				
ZONE	REV	DESCRIPTION	DATE	APPROVED



NOTES:
 1) GENERIC INFINITUBE™ SPECIAL SHOWN.
 2) * MEANS THAT APPROPRIATE OBJECTIVE CAN ONLY BE USED WITH A PARTICULAR INFINITUBE™ SPECIAL, e.g.: ZEISS OBJECTIVE WITH INFINITUBE™ SPECIAL ZEISS.

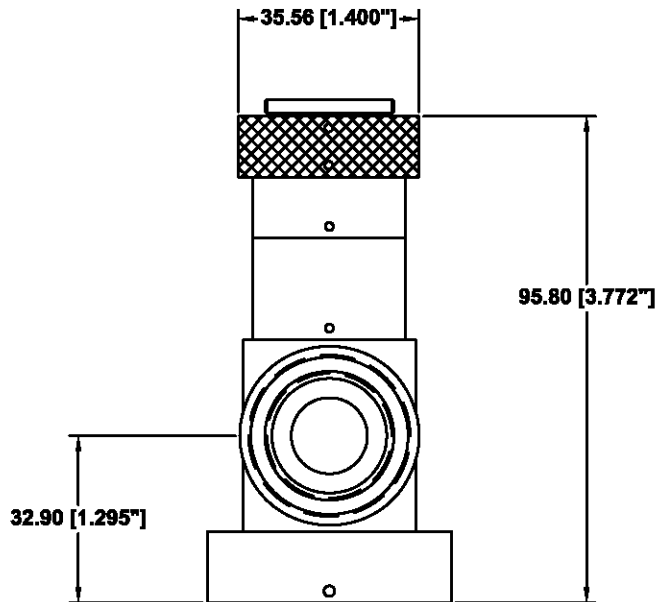
ALL DIM ARE mm [Inches] AND ARE FOR REFERENCE ONLY AND ARE SUBJECT TO CHANGE.

INFINITY Photo-Optical Company
 2530 Frontier Ave., Boulder, CO 80301
 303/440-4544 Fax 303/440-4144

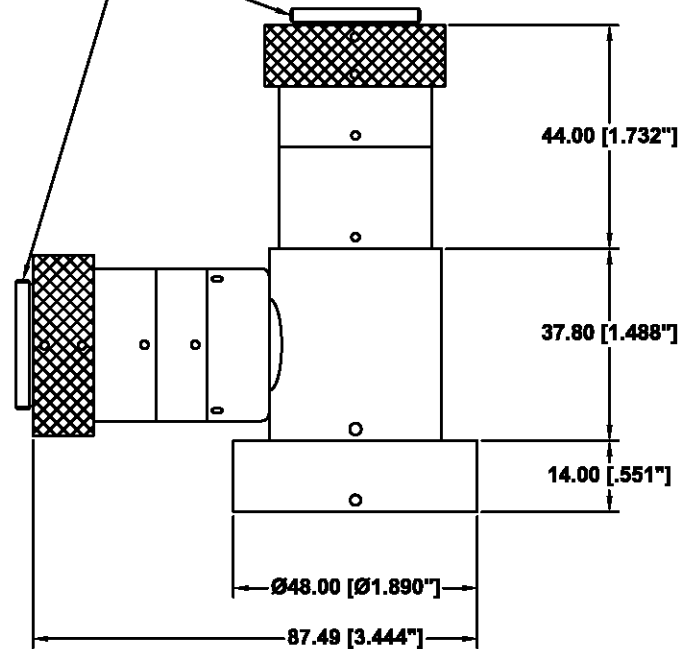
INFINITUBE™ SPECIAL ACCESSORIES-DIMENSIONS

Date: 05/11/05 MB	SIZE B	FSCM NO.	DWG NO.	REV A
Modified: 03/19/12 MB	SCALE NONE	SHEET 1 of 1		

This drawing is for informational purposes only.
No other rights or privileges are granted or implied.



C-THREAD
1"-32



REVISIONS				
ZONE	REV	DESCRIPTION	DATE	APPROVED

THIS UNIT REPLACES A COMBINED 58mm TUBE A C-MOUNT.

ALL DIM ARE mm
[Inches] AND ARE FOR
REFERENCE ONLY AND
ARE SUBJECT TO
CHANGE.

INFINITY Photo-Optical Company
2530 Frontier Ave., Boulder, CO 80301
303/440-4544 Fax 303/440-4144

**REPLACEMENT C-MOUNT
BEAMSPLITTER**

Date: 06/08/11 MB	SIZE B	FSCM NO.	DWG NO. -	REV -
Modified:	SCALE NONE	-	SHEET 1 OF 1	

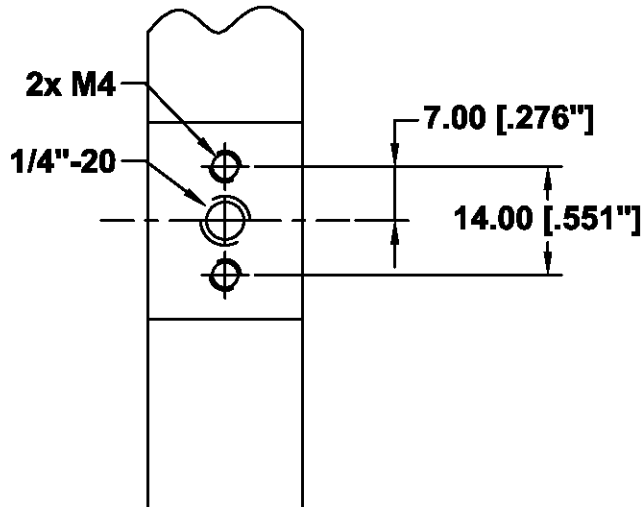
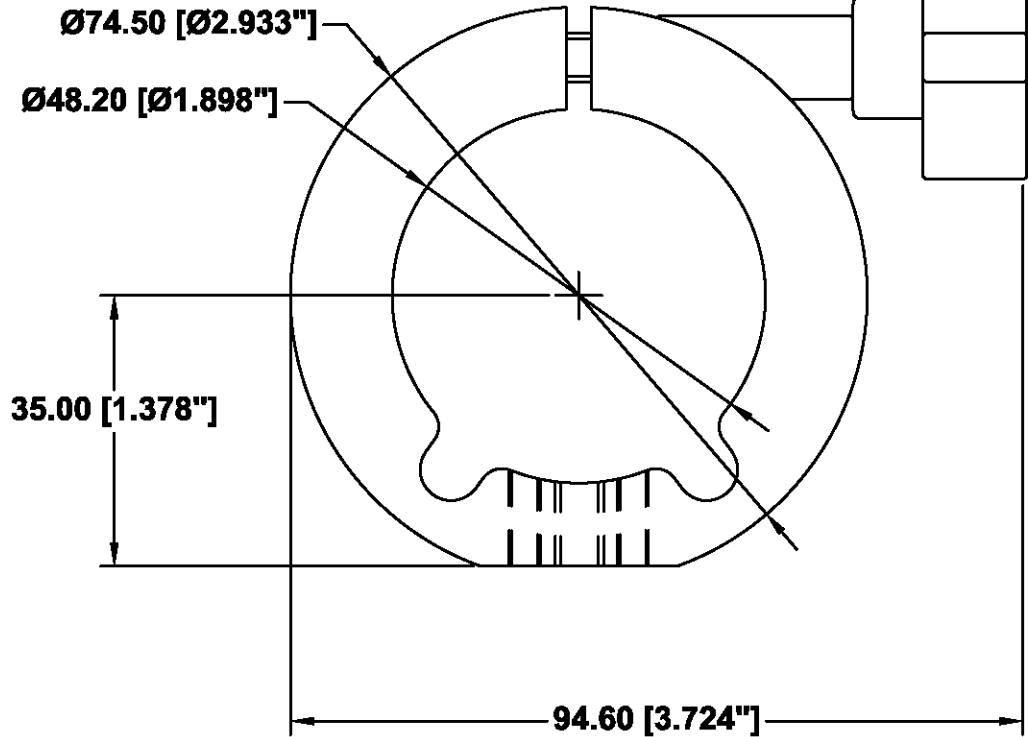
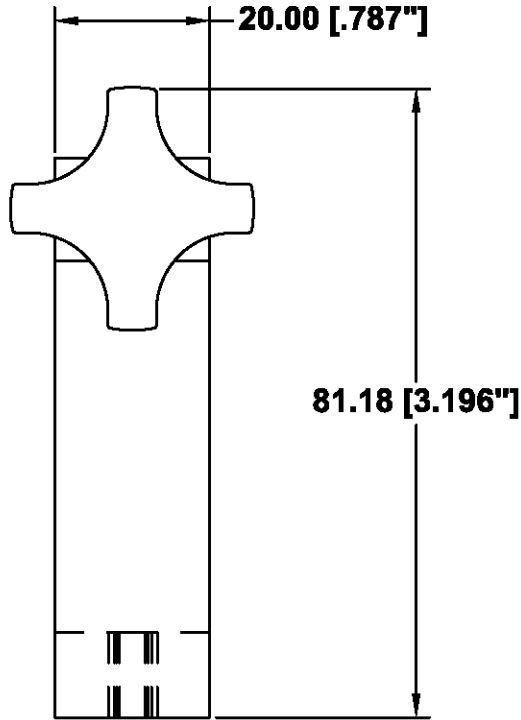
Video Formats

Format	Factor	Diagram
1/4"	0.5	
1/3"	0.75	
1/2"	1.0	
2/3"	1.375	
1"	2.0	

Unless otherwise noted all data is given for 1/2" camera sensors. For FOV or magnification in other sensor sizes use the factors listed. For example, a FOV of 25mm listed for a 1/3" camera would be $25 \times 0.75 = 18.75\text{mm}$.

**This drawing is for informational purposes only.
No other rights or privileges are granted or implied.**

REVISIONS				
ZONE	REV	DESCRIPTION	DATE	APPROVED



**ALL DIM ARE mm
[inches] AND ARE FOR
REFERENCE ONLY AND
ARE SUBJECT TO
CHANGE.**

INFINITY Photo-Optical Company
2530 Frontier Ave., Boulder, CO 80301
303/440-4544 Fax 303/440-4144

LARGE MOUNTING CLAMP

Date: 07/24/97 MS		SIZE A	FSCM NO.	DWG NO. 770 170	REV -
Modified: 08/10/05 MB		SCALE NONE	-	SHEET 1 OF 1	

INFINITY PHOTO-OPTICAL COMPANY LIMITED WARRANTY

INFINITY PHOTO-OPTICAL COMPANY hereby warrants its products to be free from defects in workmanship or materials for the warranty period set forth below. INFINITY PHOTO-OPTICAL COMPANY, at its option, shall repair or replace the defective product without cost to the purchaser, and such repair or replacement shall be the full extent of this express limited warranty. INFINITY PHOTO-OPTICAL COMPANY shall not be liable for any other damages either direct or consequential.

This warranty is made to the original purchaser, and is effective only on new equipment purchased from INFINITY PHOTO-OPTICAL COMPANY, or a dealer authorized by INFINITY PHOTO-OPTICAL COMPANY to sell the product.

This warranty is valid only when the product is returned to the authorized dealer from whom it was purchased, or returned directly to INFINITY PHOTO-OPTICAL COMPANY, freight prepaid, with proof of date of purchase.

This warranty does not extend to any defect, malfunction or failure caused by misuse, abuse or the use of the product with equipment for which it may not have been intended. Any unauthorized repair voids this warranty.

The warranty period for all products manufactured by INFINITY PHOTO-OPTICAL COMPANY is five (5) years from date of original purchase. Parts or components made or sourced from other manufacturers shall be solely covered by that manufacturer's warranty.

The warranty contained herein is the only warranty made by INFINITY PHOTO-OPTICAL COMPANY. Any implied warranty of merchantability and/or fitness for a particular purpose is expressly excluded from this warranty. INFINITY PHOTO-OPTICAL COMPANY shall not be liable for any expense, loss, incidental or consequential damages which may arise in connection with the use of this equipment. Recovery under this warranty is limited to repair or replacement of the equipment as provided above.

INFINITY PHOTO-OPTICAL COMPANY reserves the right to modify designs, equipment and accessories without notice.